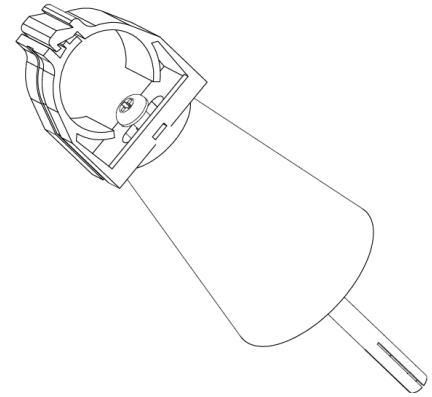


PP Clamp for 7/8" Leaky Cable (Bullet)

Description: Self-Locking Click Clamp for 7/8" Leaky Co-axial cable. Self-Locking Click Clamp for 7/8" Leaky Cable. These hanger kits and accessories are designed for mounting vertical and horizontal runs of coaxial cables.

Features: Allows for safe and efficient installation of Leaky Co-Axial RF Cable using these self-locking Click Clamps. Simple mounting by using anchoring arrangement provided and mounted onto a standoff to ensure minimum adequate distance from wall. Simply push the cable in by hand, clamp will grip and lock by applying slight pressure.



ELECTRICAL SPECIFICATIONS

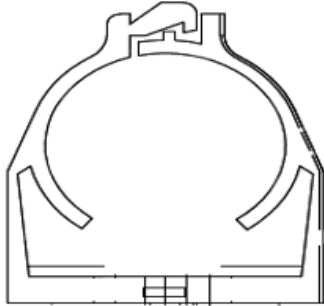
Product Line	RF Cable Accessories
Model No.	SRFSL-RFCL-PP-22D
Product Type	Installation Hardware
Clamp Type	Stainless steel clamp for Leaky Cable
Cable Size	7/8"
Color	Silver and Black
Material	SS, PP FRLSZH, Nylon FR
Axial Load Capability	8 X 7/8" LCX Cable Weight per mtr
Corrosion Resistance	≥ 500 hours of the salt spray chamber
UV Resistance	≥100 hours of accelerated UV Life Chamber
Operating Temperature	-40 °C to +85°C

MECHANICAL SPECIFICATIONS

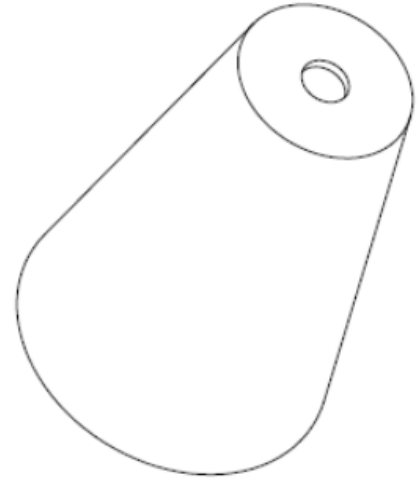
Self-Locking Clamp-1 pcs	Nylon FR
Bolt M6 1 pcs	Stainless Steel SS304 or SS316
Flush Anchor 1 pcs	Stainless Steel SS304 or SS316
Round Base - 1 pcs	PP -FRLSZH



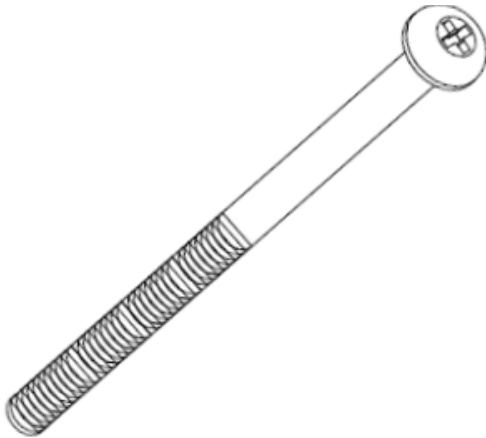
PP Clamp for 7/8" Leaky Cable (Bullet)



Self-Locking Clamp



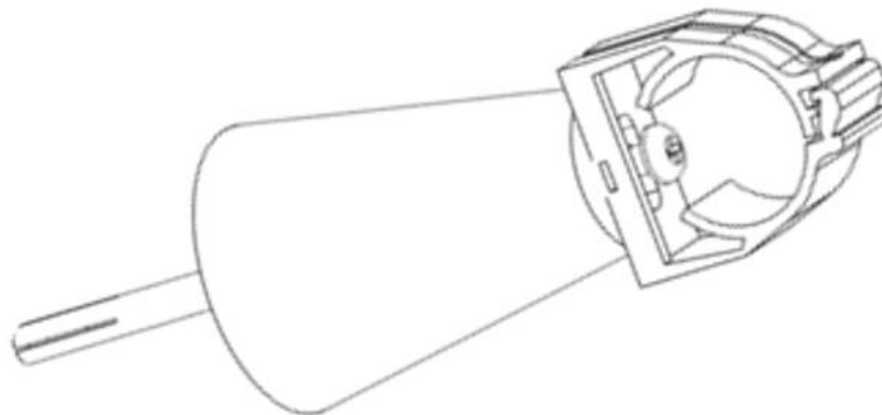
Round Base



Bolt M6



Flush Anchor



Assembly of PP Clamp 7/8



SRFS TELEINFRA

Get connected with us:



PP Clamp for 7/8" Leaky Cable (Bullet)



Self-Locking Clamp



Round Base



Bolt M6



Flush Anchor



Assembly of PP Clamp 7/8

